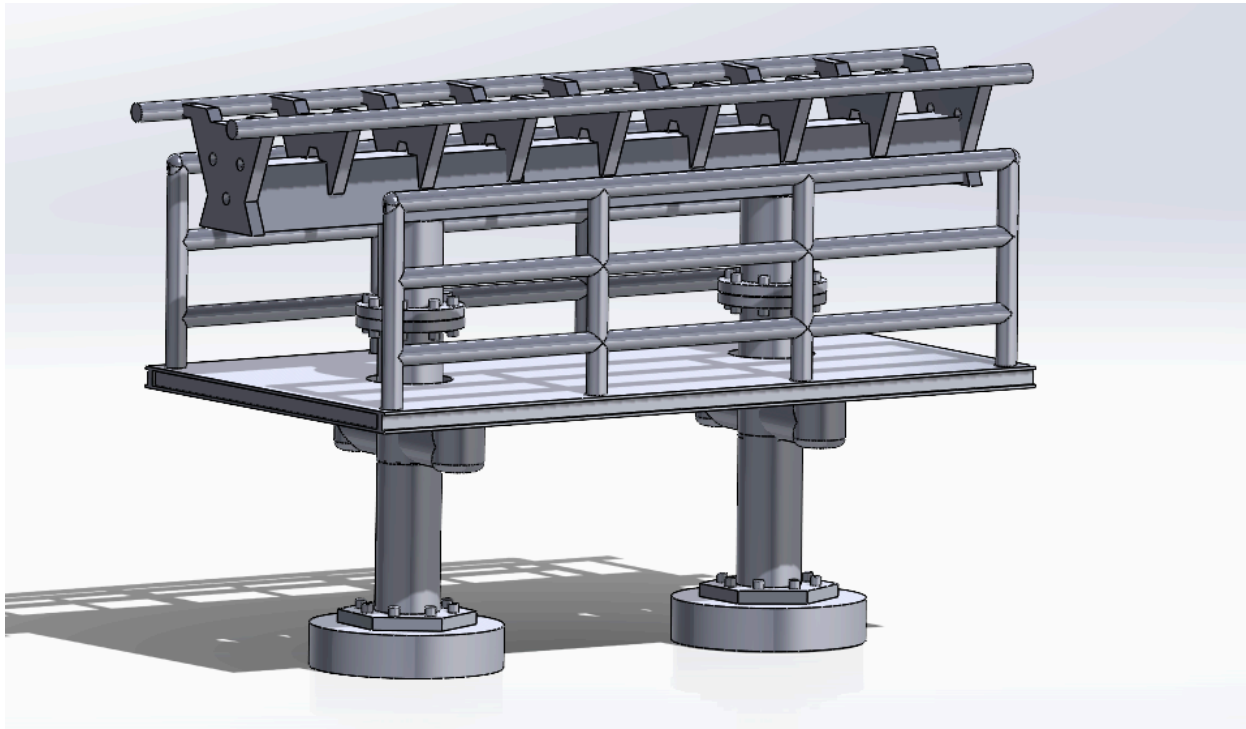


# HYPE COASTER

## Roller coaster station and track – Instructions and Parts List

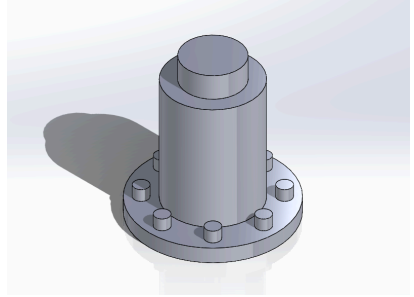
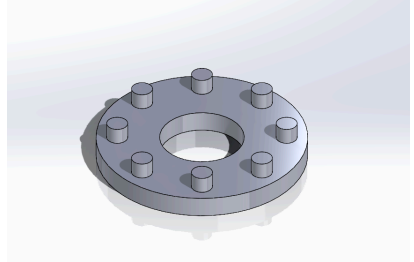
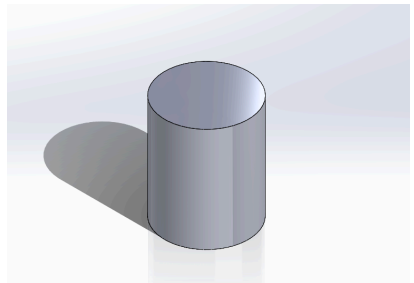
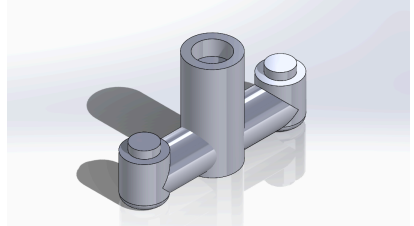


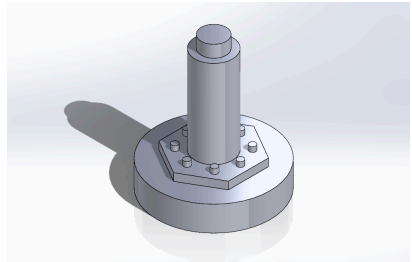
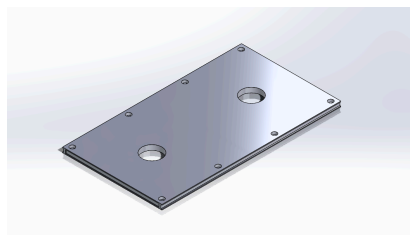
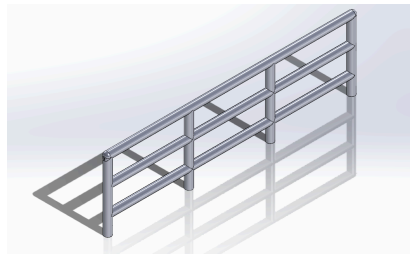
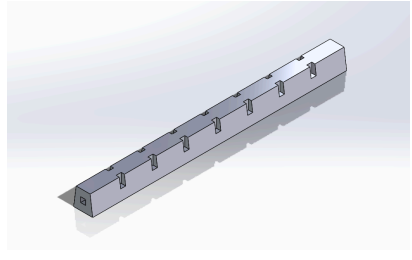
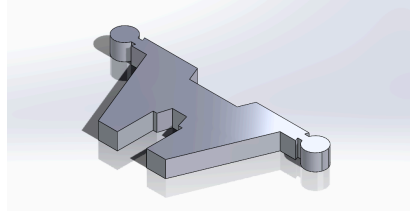
### Printing advice

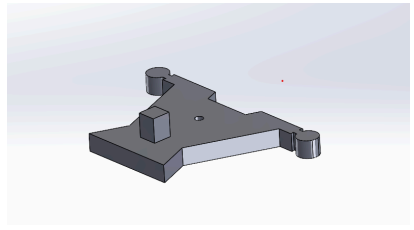
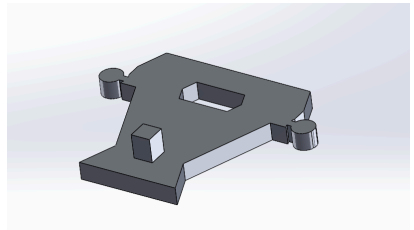
- The pieces are already correctly oriented in the STL files.
- 0,2/0,4 mm layer height recommended
- I use Giantarm Filament for a matte finish

### Assembly advice

- If possible, I recommend using a little glue to secure the joints in the posts to make them more stable.
- The track is not 3D printed, but I used a 1/4" PTFE filament with an ID of 4.35 mm and an OD of 6.35 mm. You can find more information on my blog, where I explain the materials and what I used to make it.

Nr.	Qty.	Image	Supports	Infill	Notes
1	2		yes	15%	This is the pylon that goes right under the central beam of the runway.
2	2		no	15%	These are the joints for the pylons. Each pylon has two joints, one facing upwards already in place, which is moulded together with the previous pylon, and this one, which must be placed facing downwards.
3	2		no	15%	This connector must be inserted into the hole at the bottom of the first pillar and into the hole at the top of the next piece. The joint seen previously must be inserted in the middle of the connector.
4	2		yes	20%	

5	2		no	20%	
6	1		yes	15%	
7	2		no	15%	
8	1		yes	15%	
9	7		no	50%	<p>These flaps represent the supports into which the two PTFE track tubes will be inserted. These seven flaps must be inserted into the central parts of the beam.</p>

10	2		no	50%	<p>These two flaps are the end pieces and should be placed at the left and right ends of the central beam.</p>
11	2		no	50%	<p>These two flaps are two extra parts, taller than the previous ones because they serve as stops for the mobile train, which you can print separately. Each flap should be placed at the left and right ends of the central beam.</p>

You can find more descriptions, assembly information, materials and photos on my personal blog => <https://hypecoaster.it/roller-coaster-station-and-track/>

If you enjoyed this model, you could make a small donation to help me continue creating free 3D models. It would be a great help to me. Thank you very much for your support!

Donate with 